

Hydraulic Cylinders

Wear Rings & Bearing Strips

ACM Composites has been developing, manufacturing and supplying highly engineered composite wear rings and bearing strips for use in hydraulic and pneumatic cylinders for over twenty years.

The ACM range of materials have been specially developed to meet the demands of applications requiring medium to high load capability, low wear, low friction and long life.

Corporate brand colour e.g. orange, navy, red, is also available for volume or OEM customers.

Standard wear rings for use as rod and piston guides for medium to heavy duty hydraulic cylinders can be manufactured in a variety of fabric reinforced materials including polyester and cotton phenolic composites. ACM use the latest manufacturing standards and can machine up to 1.3 metres in diameter.

The full range of materials has excellent damping characteristics with low swell and possess excellent chemical resistance. For the use of wear rings and bearing strips for cylinders operating in non-standard chemicals ACM Composites can offer specially formulated grades to suit the application.

Standard bearing strips can be supplied in thicknesses from 2 mm to 5 mm and widths from 5 mm to 50 mm with lengths of 5 metres long enabling cylinder diameters in excess of 1.5 metres to be fitted in one complete strip. These bearing strips are manufactured using the latest and up to date machinery resulting in accurately controlled tolerances being achieved with zero curvature on the length allowing for easy installation.

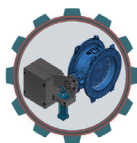
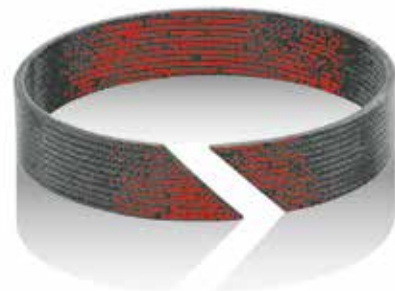
As a world class supplier ACM Composites offers a professional service with technical support from their experienced team of plastic technologists/ application engineers including, design recommendation, technical proposals and quotation, machining recommendations and installation assistance.

Advantages in using ACM Materials

- ▲ Competitive price
- ▲ Easy installation
- ▲ Eliminates fretting and seizure
- ▲ Excellent corrosion resistance
- ▲ Excellent damping characteristics
- ▲ Good dimensional stability
- ▲ Good dry running
- ▲ Good wiping effect
- ▲ High load capability
- ▲ Low swell characteristics
- ▲ Low wear rate - long life
- ▲ Short delivery time (repair 48 hours)

Applications

- ▲ Hydraulic cylinders
- ▲ Mobile hydraulics
- ▲ Injection moulding machinery
- ▲ Construction equipment
- ▲ Excavators
- ▲ Food processing
- ▲ Presses



HYDRATECH PTY LTD
acm COMPOSITES



0417 005288

ACM Bearings Ltd, Derwent Way, Wath Upon Dearne, Rotherham, S63 6EX United Kingdom

Tel +44 (0) 1709 874951 Fax +44 (0) 1709 878818 sales@acmbearings.co.uk www.acmbearings.co.uk

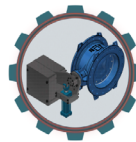
No representation is given as to the accuracy of the contents of this publication which are for general guidance only and should not be relied upon. Material characteristics are nominal and are not guaranteed minima. ©ACM Bearings Ltd. All propriety rights reserved.

Material / Design Specification

1. Materials

Material Grade	Description	Application
TriboTape G Wear Strip	Polyester resin/fine weave fabric with a graphite additive (Dark Grey)	General purpose (medium to heavy duty) wear strip
TriboTape T Wear Strip	Polyester resin/fine weave fabric with a PTFE additive (Turquoise)	General purpose (low to medium duty) standard wear rings
TriboGuide G Wear Rings	Polyester resin/fine weave fabric with a graphite additive (Dark Grey)	General purpose (medium to heavy duty) wear strip
TriboGuide T Wear Rings	Polyester resin/fine weave fabric with a PTFE additive (Turquoise)	General purpose (low to medium duty) standard wear rings
TriboGuide CG Wear Rings	Phenolic resin/fine weave fabric with a graphite additive (Dark Grey)	General purpose (medium to heavy duty) wear strip
TriboGuide CN Wear Rings	Phenolic resin/fine weave fabric (Brown)	General purpose (low to medium duty) standard wear rings

2. Wear Ring Specification



HYDRATECH PTY LTD
acm COMPOSITES



0417 005288

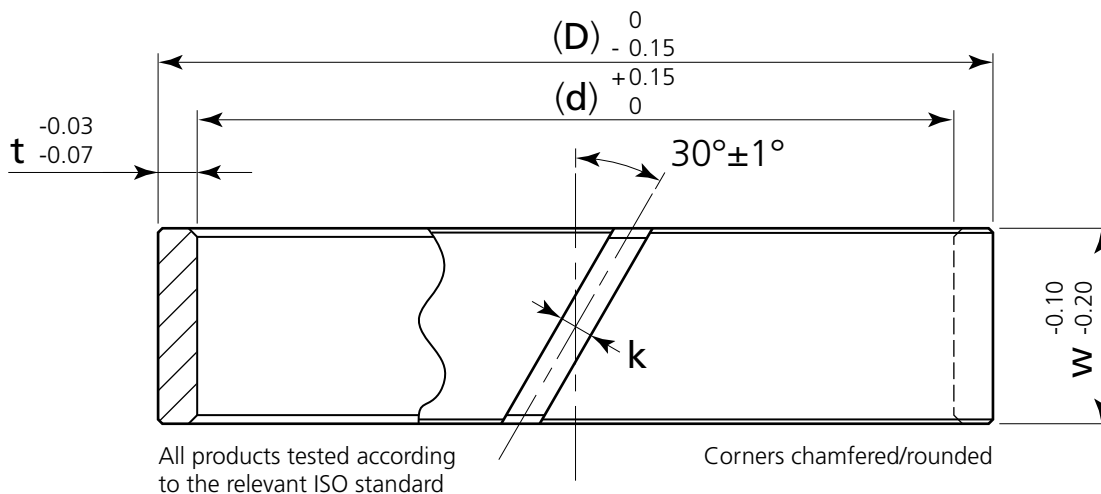
Materials

- ▲ Polyester grades and cotton phenolic grades
- ▲ Special grades and colour branding

Design/Tolerances

- ▲ Piston ring manufactured to D and t
- ▲ Rod ring manufactured to d and t
- ▲ Standard cut is a scarf cut
- ▲ Non-standard cuts are available

D/d	k
< 25	1.0 mm
26 – 100	2.0 mm
101 – 250	2.5 mm
251 – 400	4.0 mm
401 >	5.0 mm



ACM Bearings Ltd, Derwent Way, Wath Upon Dearne, Rotherham, S63 6EX United Kingdom

Tel +44 (0) 1709 874951 Fax +44 (0) 1709 878818 sales@acmbearings.co.uk www.acmbearings.co.uk

No representation is given as to the accuracy of the contents of this publication which are for general guidance only and should not be relied upon. Material characteristics are nominal and are not guaranteed minima. ©ACM Bearings Ltd. All propriety rights reserved.